



Case Former

CF5- Semi Automatic

Case Forming for the Real World

This former is perfect for use with your existing case sealers.

Little David delivers packaging equipment that works for you



The CF5 offers:

- ▣ PLC driven
- ▣ Slide and lock legs
- ▣ Large box range
- ▣ No lubrication required
- ▣ Ergonomic design
- ▣ Heavy duty steel construction
- ▣ Works with virtually any sealer

The CF5 replaces:

- ▣ Air logic driven box formers
- ▣ Expensive labor
- ▣ Hand erecting boxes

Little David CF5

LITTLE DAVID

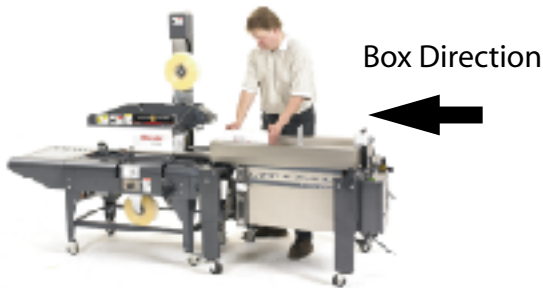
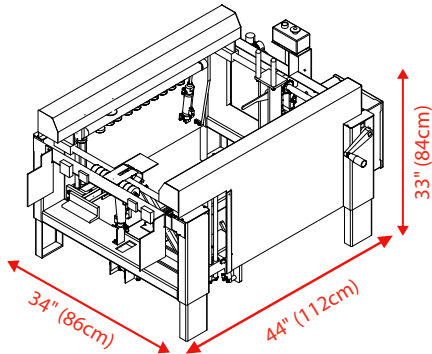


www.loveshaw.com

CF5

Dimensions:

CF5 Semi-Automatic



Additional Case Former Models:

Also Available: SP-304

- 10 cases/min depending on operator dexterity
- Case Dimensions:
 - Length: 6" - 24"
(152mm - 610mm)
 - Width: 4.5" - 20"
(114mm - 508mm)
 - Height: 4.5" - 24"
(114mm - 610mm)



Also Available: CF-20T

- 6 cases/min
- Case Dimensions:
 - Length: 6" - 16"
(152mm - 406mm)
 - Width: 6" - 12"
(152mm - 305mm)
 - Height: 4" - 12"
(105mm - 305mm)



Specifications of the CF5:

Power Requirements:

- 110 VAC, 60Hz, single phase, 2 Amps
- Note: Other voltages available. Contact Loveshaw for details.

Air Requirements:

- 6.5 SCFM

Production Rate:

- Up to 6 cases per minute, depending on operator dexterity

Case Dimensions:

Length:	8" - 25" □	203mm - 635mm
Width:	5.5" - 20" □	140mm - 508mm
Height:	3.5" - infinite	89mm - infinite

Features of the CF5:

- Plug in operation
- Minimal operator training required
- Alleviates twisting motion known to cause carpal tunnel syndrome
- Slide and lock legs
- PLC driven
- No lubrication required

Options of the CF5

- □ Spare parts kit
- □ Special electrics
- □ Custom color
- □ Casters

Distributor Information:

LOVESHAW
an ITW Company

2206 Easton Turnpike
P.O. Box 83
South Canaan, PA 18459
Tel: (570) 937-4921 Fax: (570) 937-3229
(800) 572-3434

LOVESHAW Europe
A Division of ITW Ltd.

Unit 9 Brunel Gate,
West Portway Industrial Estate
Andover, Hampshire/England SP 10 3 SL
Tel: (1264) 357511 Fax: (1264) 355964

